

10-02 B
REV SHEET 1
ISSUE 2
C1 & C80 ADDED
C/R 2079*
20/7/85
10/12/85
ISSUE 1
NEW STIPPLE
C/R 2084*
28/2/86
ISS 2
NEW STIPPLE ISS 4
28-1/86
ISSUE 3
C/R 21100
28/4/87
STIPPLE ISS 5
ISSUE 4
RIA & RIB DELETED
R2A & R2B DELETED
R1 & R2 ADDED
C/R 21552
18-5-89
ISSUE 5
PCB WAS
ISS 5
C/R 21855
18-5-89
ISSUE 7
NEW ISS 8
STIPPLE
ADDED
C/R 22938
17/1/91
ISSUE 8
NEW ISS 9
STIPPLE
ADDED
C/R 23144
24-1-92
ISSUE 9
COLOR CODE
DELETED
C/R 23573
12-5-93

ATTACH TRANSFORMER T2 & T5 TO PCB WITH 'SILASTIC' (WHITE) NOTE - USE SPARINGLY

NOTES.  
ALL CAPACITORS SHOWN THUS  $\cap$  ARE 100n.  
ALL DIODES ARE 1N914 OR EQUIVALENT.  
IC3 IS LM78L05CZ OR LM340LAZ-5.0

REF. CCT. DRWG. 04-02038		SCALE 2:1		TITLE		02-00743	
CODAN		DATE 23/7/85		RF. P.C.B. ASSY.		COPYRIGHT © CODAN 1985	
MATERIAL		CHKD. D.S.B. 29/8/85		DRAWING/DOC NO.		A1	
FINISH		APPD. 3/3/86		08-02917		ISS 89	
		TOLERANCES UNLESS OTHERWISE STATED		2 PLACES DEC ±		1 PLACES DEC ±	
		ANGULAR ±		1 2 3 4 5 6 7		of 2	

DO NOT SCALE

ISSUE B.  
C79a-C79(f) ADD  
C/R 20669  
6/1/85 J.B.

ISSUE C.  
C/R 20716  
10/1/85 J.B.

ISSUE D.  
NOTE ADDED &  
MRS SWAPPED  
C/R 20728  
27/1/86 J.B.

ISS 2.  
C/R 21085  
STIPPLE CHANGE  
TO ISS. 4-  
22 2/1/86

ISSUE 3  
C/R 21190  
28/4/87  
STIPPLE

ISSUE 4  
REF SHT. 1.  
C/R 21852  
18-8-88 J.B.

ISSUE 5  
PCB WAS  
ISS. 6  
C/R 21855  
18-5-89 J.B.

ISSUE 6  
3 WASHERS  
1 OFF ITEM 4  
2 OFF ITEM 7  
ADDED  
C/R 21995  
12-7-89

ISSUE 7  
PCB CHANGED  
NEW ISSUE  
LINK ADDED  
C/R 22938 J.B.

ISSUE 8  
NEW ISS 9  
STIPPLE  
ADDED  
C/R 23144  
24/1/92 J.B.

ISSUE 9  
REF SHT 1

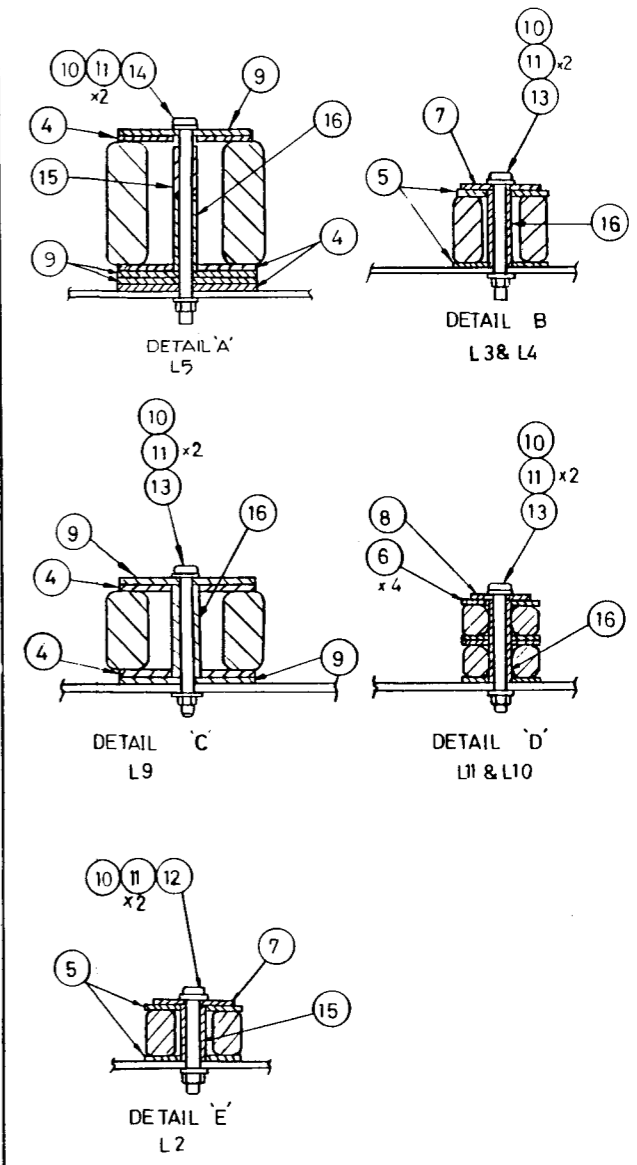
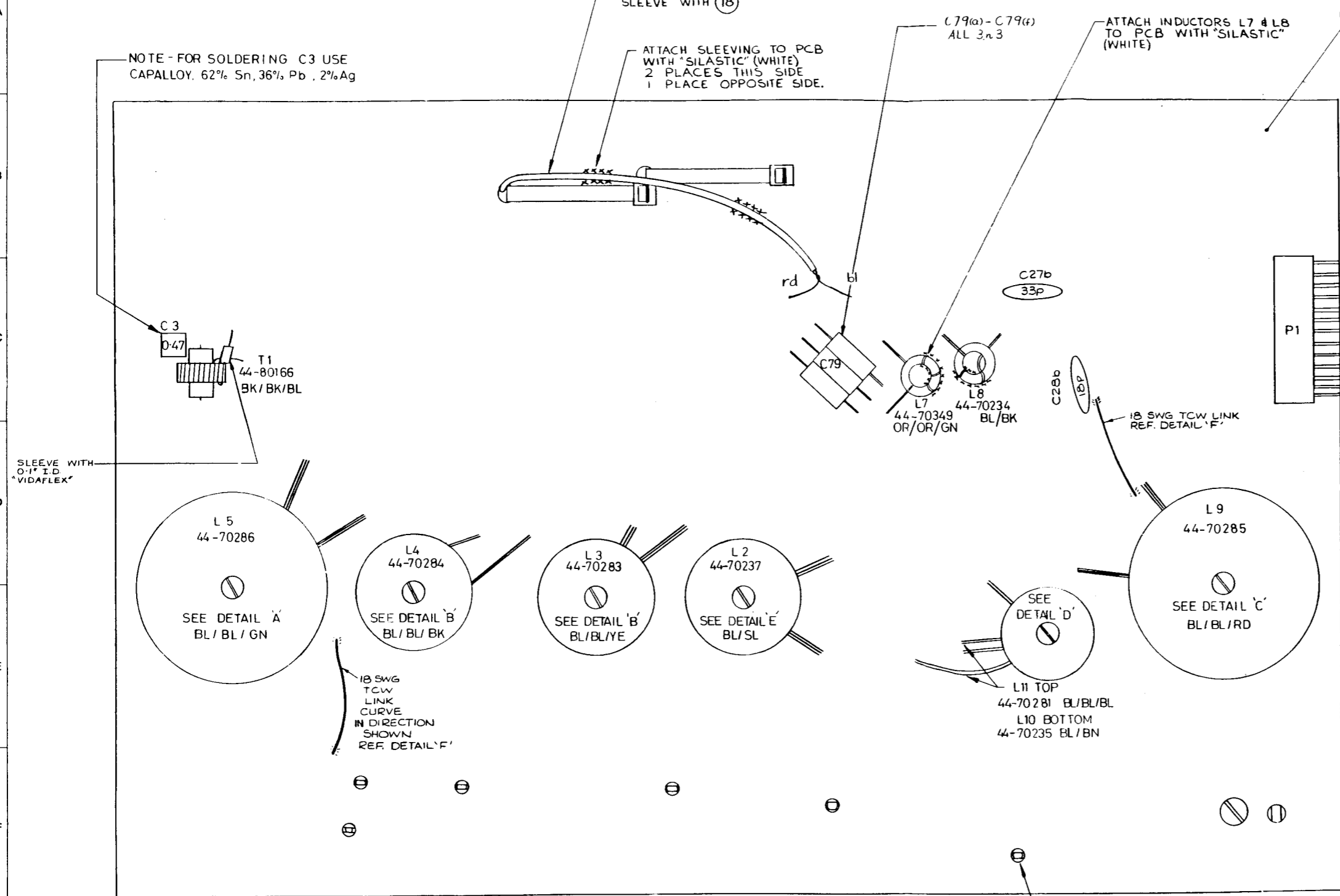
NOTE - FOR SOLDERING C3 USE  
CAPALLOY, 62% Sn, 36% Pb, 2% Ag

0.4mm ENAMELLED TWISTED WIRE rd/bl x 145mm LONG  
SLEEVE WITH 18

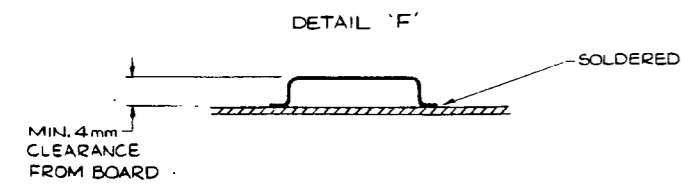
ATTACH SLEEVING TO PCB  
WITH "SILASTIC" (WHITE)  
2 PLACES THIS SIDE  
1 PLACE OPPOSITE SIDE.

C79(a)-C79(f)  
ALL 3x3

ATTACH INDUCTORS L7 & L8  
TO PCB WITH "SILASTIC"  
(WHITE)



PCB: 07-00981 ISSUE 9 SIDE 2.



REF. CCT. DRWG. 04-02038		SCALE 2:1		TITLE R.F. P.C.B. ASSY.	
CODAN	DRN GP	DATE 17/7/85	DRAWING/DOC NO. A1 08-02917		
MATERIAL	CHKD DS B	29/8/85	ISS 89 1234567 SH12 or 2		
FINISH	APPD J.B.	3-3-88	TOLERANCES UNLESS OTHERWISE STATED		
2 PLACES DEC ±		1 PLACE DEC ±		ANGULAR ±	